



Accessories for:

GFX - M1/S1/E1

GFX - M2/S2/E2

GFX4/GFX4-IR - 30/60/80

GFXTERMO4

- *GF_eXpress*
- *Serial line converters / repeaters*
- *Power supply*
- *Programming terminal*
- *Communication connectors / adapters*
- *Input / Output connectors*
- *Cables*

Note: if better not specified when indicated GEFLEX agrees all the range

CONFIGURATION KIT



Kit for configuring Gefran instruments via PC (Windows environment).
Lets you read or write all parameters of a single instrument via serial connection

- A single software for all models.
- Easy configuration.
- Copy/paste, save recipe, trend functions.
- Rapid instrument configuration.
- Parameter recipe saving and management
- On-line trends and historical data saving
- Recovery of factory settings
- Custom linearization
- On-line operator manual

ORDER CODE

GF_eXK-1-1-0



SERIAL LINE CONVERTERS / REPEATERS

PRODUCT DESCRIPTION

ADAM-4520 converter

Converts a 232 serial line to a 485 serial line Typically used for communication from PC to Geflex units

ADAM-4510 repeater

Reproduces a serial signal

Typically used to configure field bus with Modbus protocol when there are more than 32 nodes

ORDER CODE

RS232/485 serial line converter

ADAM - 4520

RS485 serial line repeater

ADAM - 4510



POWER SUPPLY

PRODUCT DESCRIPTION

Network power supply for one Geflex

ORDER CODE

*Stabilized power supply (24 Vdc, 12 W) complete with power adapter for Geflex
(Max nr. 2 GFX-M1/S1/E1, GFX-M2/S2/E2 contemporary alimentation)
(Max nr. 1 GFX4 o GFXTERMO4)*

PWS24



GFX_OP PROGRAMMING TERMINAL

PRODUCT DESCRIPTION

Operator terminal for field configuration of the entire Geflex range

Two types of terminals are available:

- for installation on the Geflex heatsink or on DIN guide
- for installation on the faceplate

A kit for communication with the PC is included with the terminal installed on DIN guide.

Main characteristics:

- double display for variables
- display to identify the communication node
- six function keys
- LED for diagnostics of inputs/outputs and main Geflex functions
- ability to upload/download the Geflex configuration (up to a maximum of ten)
- powered directly by the Geflex

ORDER CODE

Programming terminal for Geflex (installation on DIN guide or on heatsink), complete with connection cable to Geflex (L = 0.3 m)

GFX-OP-D

Note: see cable section for other cable lengths

Programming terminal for Geflex (installation on faceplate)

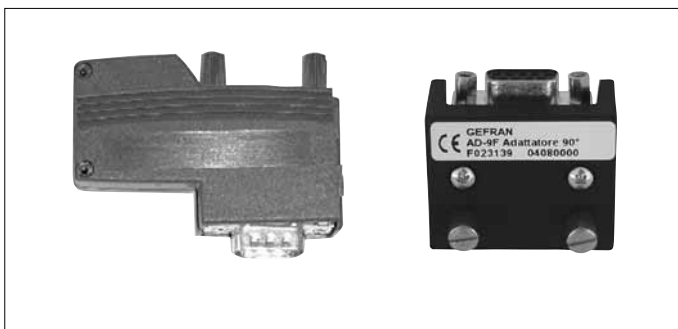
GFX-OP-P

Note: see cable section for connection cable

Kit consists of:

power supply, connection cable PC <-> GFX-DP-D (L = 2 m), power adapter for the Geflex

GFX-OP-K



COMMUNICATION CONNECTORS / ADAPTERS

PRODUCT DESCRIPTION

Series of connectors for all field bus types (Modbus, Profibus, CANopen, DeviceNet), to facilitate wiring of the communication cable. Adapters to bring 9 pin SUB connector to front.

SIGLA DI ORDINAZIONE

Connector for Geflex Master Modbus with cover and inside terminals

CON-M-90

Connector for Geflex Master Profibus with cover and inside terminals

CON-P-90

Connector for Geflex CANopen with cover and inside terminals

CON-C-90

Connector for DeviceNet with cover and inside terminals

CSIG-5

Connector for serial1 (local bus) type 4p4c/RJ10

CRJ10

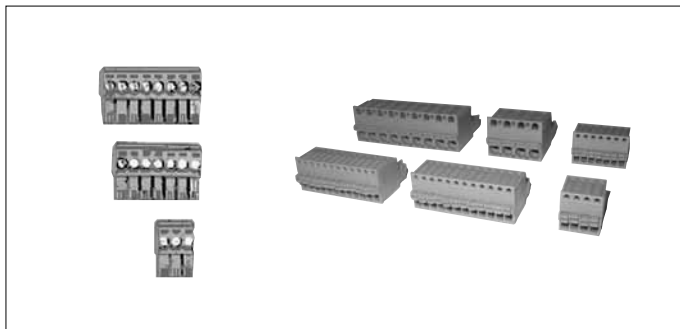
90° adapter for 9 pin SUBD male connector (Geflex Master CANopen)

AD-9M

90° adapter for 9 pin SUBD female connector (Geflex Master Modbus/Profibus)

AD-9F

CONNECTORS FOR INPUTS / OUTPUTS



PRODUCT DESCRIPTION

Series of connectors for Geflex inputs/outputs/power supply

ORDER CODE

Availables for Geflex Multifunction and Valves from 5A to 15A

3-terminal connector (J2) for Geflex Slave to an output

CSIG-3

4-terminal connector (J4) for Geflex_Multifunction or

Geflex_Valve Master/Slave/Expansion for power

CSIG-4

Availables for Geflex from 25A to 120A

4-terminal connector (J5) for Geflex_Multifunction or

Geflex_Valve Master/Slave/Expansion for auxiliary input

CSIG-5

7-terminal connector (J1) for Geflex Master/Slave inputs/power supply

CSIG-7

8-terminal connector (J2) for 3-output Geflex Master/Slave

CSIG-8

Availables for GFX4 and GFXTERMO4

9-pin connector for alarm and cooling output (J1)

COU4-9

4-pin connector for alarm outputs (J1a)

COU4-4

7-pin connector for digital inputs feed (J2)

CSIG4-7

12-pin connector for auxiliary analog inputs and control outputs (J3)

CSIG4-12

4-pin connector for main outputs (J3a)

CSIG4-4

12-pin connector for analog process inputs (J4)

CSIG4-12

CABLES



PRODUCT DESCRIPTION

Series of cables for field bus and to extend connections between Geflex GFXS1/S2.

ORDER CODE

Shielded cable, 1 pair, 22 AWG, L = 1 m Modbus type

2x0.35 CABLE

Shielded cable, 1 pair, 22 AWG, L = 1 m Profibus type

PROFIBUS CABLE

Shielded cable, 2 pairs, 22 AWG, L = 1 m CANopen type

CANBUS CABLE

4-pin telephone cable

CV4-RJ10

Connection cable for GFX-OP <-> Geflex or for S1/S2 <-> Geflex S1/S2

complete with connectors, length 1 m

CV-1

Connection cable for GFX-OP <-> Geflex or for Geflex S1/S2 <-> Geflex S1/S2

complete with connectors, length 2,5m

CV-2

Connection cable for GFX-OP <-> Geflex or for Geflex S1/S2 <-> Geflex S1/S2

complete with connectors, length 5m

CV-5

Cable l = 0.3 m for Modbus serial connection (RJ10) (local bus) GFX4 <-> GFX4

CV4-03

Cable l = 1 m for Modbus serial connection (RJ10) (local bus) GFX4 <-> GFX4

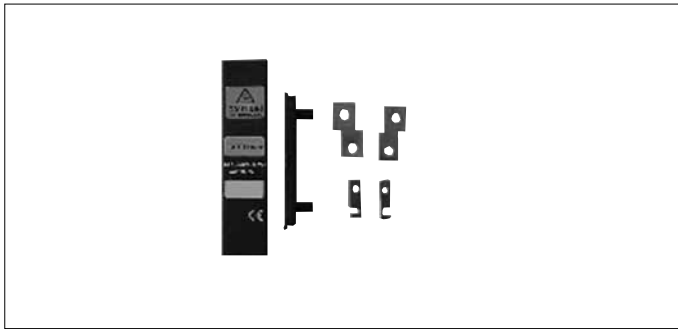
CV4-1

Cable l = 2 m for Modbus serial connection (RJ10) (local bus) GFX4 <-> GFX4

CV4-2

Cable l = 5 m for Modbus serial connection (RJ10) (local bus) GFX4 <-> GFX4

CV4-5



KIT TO ADAPT GTS MODULES TO GEFLEX BASE

PRODUCT DESCRIPTION

Kit consisting of set of reeds with nickel-plated copper contact, pad-printed cover with hook cursor.
Permits installation of GTS series solid state power relays on the Geflex base.

ORDER CODE

Kit to insert GTS-25A on Geflex BASE Master/Slave 25-40	CGK-25
Kit to insert GTS-40A on Geflex BASE Master/Slave 25-40	CGK-40
Kit to insert GTS-60A on Geflex BASE Master/Slave 60-120	CGK-60
Kit to insert GTS-75A on Geflex BASE Master/Slave 60-120	CGK-75
Kit to insert GTS-90A on Geflex BASE Master/Slave 60-120	CGK-90
Kit to insert GTS-120A on Geflex BASE Master/Slave 60-120	CGK-120



MODULES

ORDER CODE

Availables for Geflex Multifunction and Valves from 5A to 15A

SSR from 5A 230V	GTS-L 5/230
SSR from 10A 230V	GTS-L 10/230
SSR from 15A 230V	GTS-L 15/230
SSR from 5A 440V	GTS-L 5/440
SSR from 10A 440V	GTS-L 10/440
SSR from 15A 440V	GTS-L 15/440
Double continuous output module 0/4...20mA (0...10V)	GFX-OUT-CC
Double relay module	GFX-OUT-RR
Relay two changes 12A bobine 24 Volt	RELÈ
Base for BAR DIN coupling	ZOCCOLO FI9672

Availables for Geflex from 25A to 120A

SSR from 25A 480V	GTS-25/480-0
SSR from 40A 480V	GTS-40/480-0
SSR from 60A 480V	GTS-60/480-0
SSR from 75A 480V	GTS-75/480-0
SSR from 90A 480V	GTS-90/480-0
SSR from 120A 480V	GTS-120/480 VEN92

FANS



ORDER CODE

Fan (flow rate 39m3/h) for GFX4-30

Fan (flow rate 56m3/h) for GFX4-60 and GFX-80

Fan grille for GFX4

Filter for fan

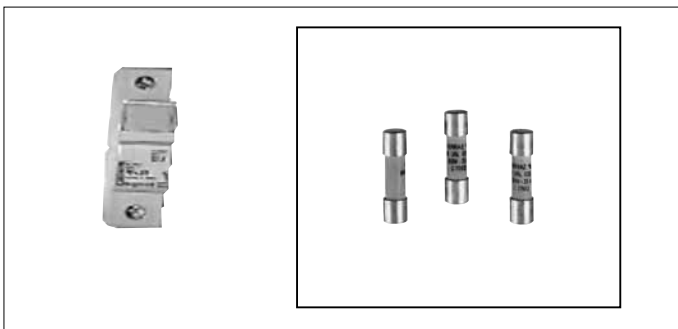
VEN-61

VEN-62

GRI-4

FLT-4

FUSES / FUSE HOLDERS



PRODUCT DESCRIPTION

High-speed fuses for protection

ORDER CODE

Availables for Geflex Multifunction and Valves from 5A to 15A

Fuses for Geflex_Multifunction with SSR from 5A

FUS-05G

Fuses for Geflex_Multifunction with SSR from 10A

FUS-10G

Fuses for Geflex_Multifunction with SSR from 15A

FUS-16G

Availables for Geflex from 25A to 120A

25A (10x38 mm) fuses for Geflex

FUS-025

40A (45x51 mm) fuses for Geflex

FUS-040

60A (22x58 mm) fuses for Geflex

FUS-080

75A (22x58 mm) fuses for Geflex

FUS-080

90A (22x58 mm) fuses for Geflex

FUS-100

120A, non-extractable (100x51x30 mm) fuses for Geflex

FUS-125N

Fuse holders for type FUS-025 fuses

PF-10x38

Fuse holders for type FUS-040 fuses

PF-14x51

Fuse holders for type FUS-080, FUS-100 fuses

PF-22x58

Fuse holders for type FUS-125N fuses

PF-DIN

Availables for GFX4/GFX4-IR

Fuses for 30 KW

FUS-016

Fuses for 60 KW

FUS-030

Fuses for 80 KW

FUS-063

Fuse holders for 30 KW (models without fuse holders)

PFI or PF-10x38

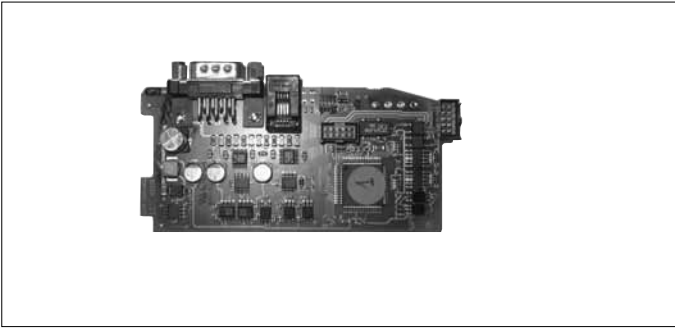
Fuse holders for 60 KW (models without fuse holders)

PFI or PF-10x38

Fuse holders for 80 KW

PFI or PF-22x58

FIELD BUS CARD



ORDER CODE

<i>Cards for Modbus RTU protocol</i>	GFX4-MOD
<i>Cards for Profibus DP protocol</i>	GFX4-PROFI
<i>Cards for CANopen protocol</i>	GFX4-CAN
<i>Cards for DeviceNet protocol</i>	GFX4-DNET
<i>Cards for Ethernet Modbus TCP protocol</i>	GFX4-ETH
<i>Cards for Ethernet IP</i>	GFX4-ETH1
<i>Cards for EtherCAT</i>	GFX4-ETH2
<i>Cards for Profinet</i>	GFX4-ETH4
<i>Cards for Real Time Ethernet</i>	GFX4-ETH5

GEFRAN spa reserves the right to make aesthetic or functional changes at any time and without notice.

GEFRAN

GEFRAN spa via Sebina, 74 - 25050 Provaglio d'Iseo (BS)
Tel. 03098881 - fax 0309839063
Internet: <http://www.gefran.com>

DTS_ACCESSORI-GFX_05-2013_ENG